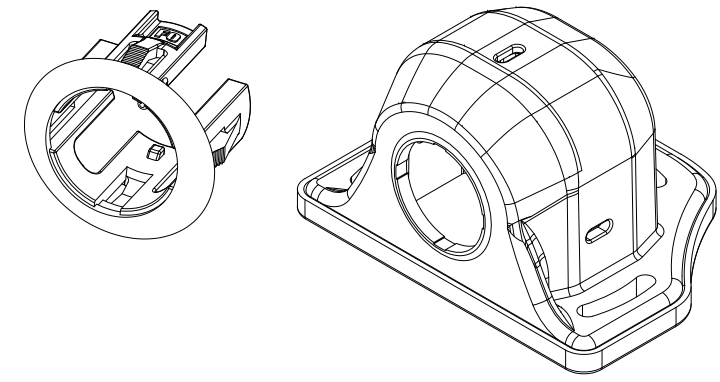
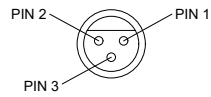


ITEM	PART NO.	QTY	MODEL / DESCRIPTION
①	(6108)	1	SSP-00HSS-W SIDESCAN@PREDICT SENSOR WHITE
②	(3722)	1	UDS-05SS UDS: F0 (5°) SENSOR SLEEVE
③	(3723)	1	UDS-11SS UDS: F1 (11°) SENSOR SLEEVE (NOT SHOWN)
④	(3724)	1	UDS-18SS UDS: F2 (18°) SENSOR SLEEVE (NOT SHOWN)
⑤	(3725)	1	UDS-26SS UDS: F3 (26°) SENSOR SLEEVE (NOT SHOWN)
⑥	(6204)	1	SSP-00SM-KT SIDESCAN@PREDICT SENSOR MOUNT ASSEMBLY KIT

Revision Notes:
R1 -
APA: - Drawn:- Checked:- Approved:- Date: -

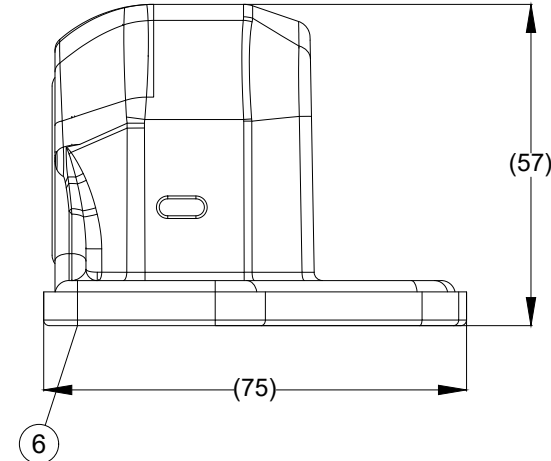
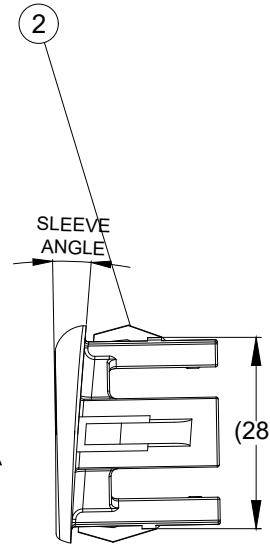
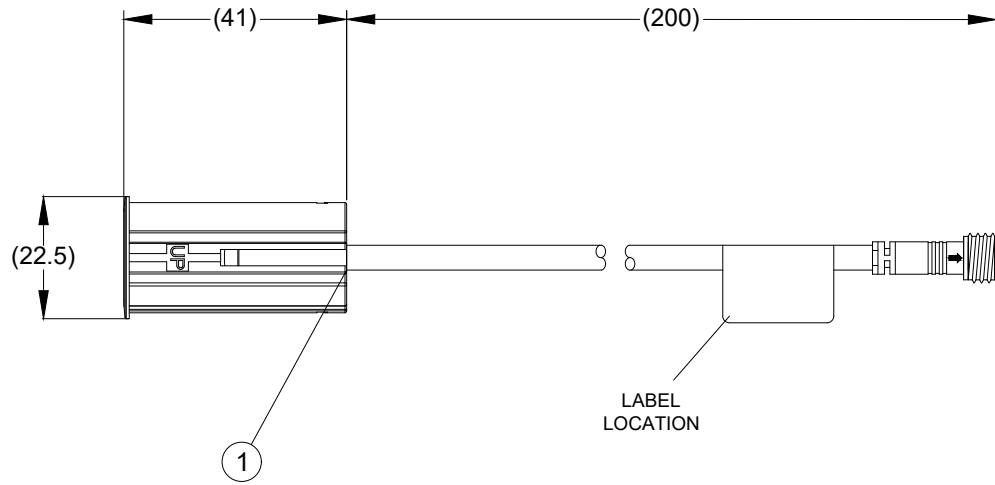


VIEW A



3 PIN FEMALE
MATING FACE

PIN #	WIRE COLOR	DESCRIPTION
1	BLACK	GND
2	RED	+12V DC
3	WHITE	SIGNAL



- NOTES:
- FOR PRODUCT LABELS AND PACKAGING DETAILS REFER TO THE MASTER BOM.
 - ANY CUSTOMER MODIFICATION OF THIS PRODUCT CAUSING SUBSEQUENT FAILURE IS NOT A LIABILITY OF BRIGADE ELECTRONICS PLC.
 - FOR DETAILED DIMENSIONS PLEASE REFER TO INDIVIDUAL COMPONENT DRAWINGS.

PROPRIETARY NOTICE
THIS DESIGN AND TECHNICAL INFORMATION APPEARING ON THIS DRAWING IS THE PROPERTY OF BRIGADE ELECTRONICS, AND IS DISCLOSED IN CONFIDENCE. IT IS NOT TO BE COPIED, REPRODUCED, REVEALED TO OR EXPROPRIATED BY OTHERS, EITHER IN WHOLE OR IN PART WITHOUT THE EXPRESS WRITTEN CONSENT OF BRIGADE ELECTRONICS.



Assembly Pl Approval A.YAO	Approved by B.CHILDS	Checked by C.WALKER	Drawn by S.GOVENDER
Angle of Projection 	Units mm	Scale N/A	Released 16/10/20
Status RELEASED	Part No 6147	Assembly Ref SSP-HSSW-KT BE-004415-00-20	